

# HydroMinder Model 507

## Package Contains:

1. Proportioner
2. Float with chain
3. Suction tube with foot valve -- 9 ft.
4. Discharge tube -- 2 ft.
5. Metering tip kit (14 tips)
6. Production information sheet

## THANK YOU FOR YOUR INTEREST IN OUR PRODUCTS

Please use this equipment carefully and observe all warnings and cautions.

\*\*\*\*\* NOTE \*\*\*\*\*

<b>WEAR</b>	protective clothing and eyewear when dispensing chemicals or other materials.
<b>ALWAYS</b>	observe safety and handling instructions of the chemical manufacturers.
<b>ALWAYS</b>	direct discharge away from you or other persons or into approved containers.
<b>ALWAYS</b>	dispense cleaners and chemicals in accordance with manufacturer's instructions. Exercise <b>CAUTION</b> when maintaining your equipment.
<b>KEEP</b>	equipment clean for proper operation.
<b>WEAR</b>	protective clothing and eyewear when working in the vicinity of all chemicals, filling or emptying equipment or changing metering tips.
<b>ALWAYS</b>	re-assemble equipment according to instruction procedures. Be sure all components are firmly screwed or latched into position.
<b>ATTACH</b>	only to tap water outlets (85 PSI maximum).

Through proper care and maintenance, this equipment will serve your toughest cleaning jobs.

## Installation:

1. Select a metering tip (see next three sections) and insert it into the suction stub on the eductor body.
2. Attach the end of the discharge tube with the clamp and flooding ring to the discharge barb on the eductor. Since the proportioner does not have a siphon breaker, you may want to drill a small hole (1/8" or 1/4" ID) in the discharge tube, above the highest solution level and below the discharge end of the eductor. This will allow the discharge tube to drain after each cycle.
3. Mount the unit in a level position on the side of the reservoir.
4. Insert the foot valve end of the suction tube into the concentrate container. (The level of the concentrate must be below the level of the eductor, or the proportioner will continue to siphon concentrate after it is turned "off".)
5. Slide the open end of the suction tube over the suction stub.
6. Adjust the bead chain length to position the float at the desired level of solution. To prevent foaming, be certain that the solution level will always be above the point of discharge. Be sure float mechanism is not hampered by water turbulence caused by discharging solution. It may be necessary to baffle the float from the discharge in order for the unit to work properly.
2. Install a minimum 1/2-inch ID water hose between the inlet threads and the water spigot. Minimum water pressure required to properly operate the proportioner is 25 PSI (flowing).

## Measurement of Concentration:

You can determine the dispensed water-to-product ratio for any metering tip size and product viscosity. All that is required is to operate the primed dispenser for a minute or so and note two things: the amount of dispensed water/product mixture, and the amount of concentrate used in preparation of the solution dispensed. The water-to-product ratio is then calculated as follows:

$$\text{Dilution (X)} = \frac{\text{Amount of Mixed Solution} - \text{Amount of Concentrate Drawn}}{\text{Amount of Concentrate Drawn}}$$

Dilution ratio, then, equals X parts water to one part concentrate (X:1). If the test does not yield the desired ratio, choose a different tip and repeat the test. Alternative methods to this test are 1) pH (using litmus paper), and 2) titration. Contact your concentrate supplier for further information on these alternative methods and the materials required to perform them.

APPROXIMATE DILUTIONS AT 40 PSI FOR WATER-THIN PRODUCTS (1.0 CP)			
Tip Color	Orifice Size	(Std. Drill Number)	Ratio
No Tip	.187	(3/16)	4:1
Grey	.128	(30)	5:1
Black	.098	(40)	6:1
Beige	.070	(50)	8:1
Red	.052	(55)	17:1
White	.043	(57)	23:1
Blue	.040	(60)	25:1
Tan	.035	(65)	36:1
Green	.028	(70)	48:1
Orange	.025	(72)	64:1
Brown	.023	(74)	75:1
Yellow	.020	(76)	90:1
Purple	.014	(79)	120:1
Pink	.010	(87)	240:1

**Metering Tip Selection:**

The final concentration of the dispensed liquid is related to both the size of the metering tip opening (orifice) and the viscosity of the liquid being siphoned. If product viscosity is noticeably greater than that of water, consult the procedure for Measurement of Concentration on the first page to achieve your desired water-to-product ratio. For water-thin products, use the chart at right as a guideline. Because such factors as inlet water pressure and temperature can affect dilution ratios, the figures listed below are only approximate. Test the actual dilution you are achieving using the Measurement of Concentration procedure for best results. Two undrilled, clear tips are supplied for drilling sizes not listed.

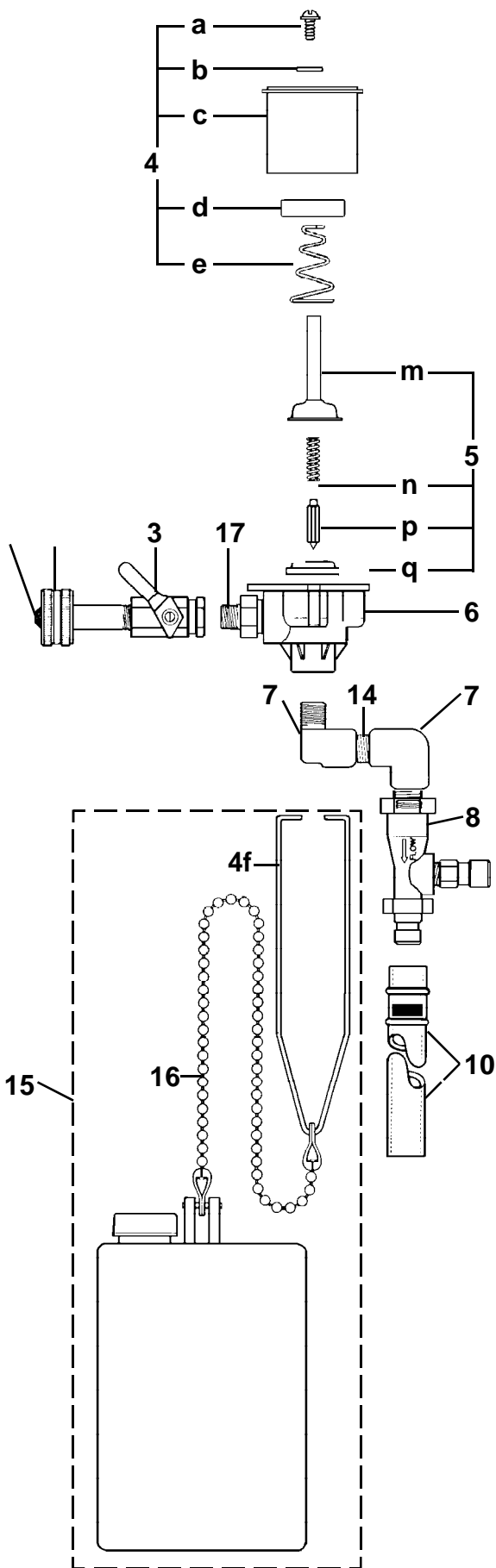
**Operation:**

Open the water supply ball valve. When the solution in the reservoir reaches the level set by the float, the valve will close. This will stop the water flow and siphoning of concentrate. When withdrawal of solution from the reservoir causes the level to drop more than 1-1/2 inches, the valve will open, and the reservoir will be refilled to the previous, pre-set level. This cycle will be repeated automatically until the supply of concentrate is depleted. The ball valve should be **fully closed** when changing metering tips or concentrate container, when reservoir is drained, or when the unit is not in use.

**Troubleshooting:**

Problem	Probable Cause	Remedy
1. No discharge	a. No water b. Defective magnetic valve assembly c. Excessive water pressure	a. Open water inlet b. Replace assembly c. Install regulator if pressure exceeds 85 PSI
2. No concentrate draw	a. Clogged foot valve b. Metering tip or eductor clogged c. Low water pressure d. Discharge tube or flooding ring not in place	a. Clean or replace foot valve b. Clean* or replace c. Minimum 25 PSI flowing required d. Check position: Replace discharge tube if flooding ring is missing.
3. Failure of unit to turn off	a. Valve parts dirty or defective b. Magnet spring too short c. Clogged valve orifice	a. Clean or replace b. Replace c. Clean or replace
4. Backflow into concentrate	a. Diluted solution being siphoned into container b. Water being siphoned into container	a. Replace or repair foot valve b. Replace eductor
* In hard water areas, <b>scale</b> may form at the discharge of the eductor. This scale may be removed by soaking the eductor in a descaling solution or by running the descaling solution through the system. If descaling solution is educted through the system, flush the unit by educting water only before returning the system to regular use.		

# Parts Diagram/List



KEY	PART NO.	DESCRIPTION
1	238100	strainer washer
2	506500	hose swivel
3	502000	ball valve
4	5051-K	magnet parts kit: a. screw, b. washer, c. magnet cover, d. magnet assembly, e. magnet spring, f. magnet yoke (not shown: magnet cap -- above magnet, under cover)
5	6655-P	valve parts kit: m.valve guide ("bonnet"), n. armature spring, p. armature, q. diaphragm
6	520000	water valve body
7	505600	street elbow
8	440121	educator assembly
9	690015	metering tip (kit)
10	5057-A	discharge tube assembly
11	5058-9A	suction tube assembly (includes 12 & 13)
12	10076301	foot valve, Viton
13	250006	ceramic weight
14	519000	nipple
15	5043-A	float assembly (includes chain)
16	507200	bead chain
17	360900	nipple

**Hydro**<sup>®</sup>

A **DOVER** RESOURCES COMPANY

---

Hydro Systems Company